

A consistent approach to finishes

CHAPTER 9.1

This chapter gives guidance on meeting the Technical Requirements for finishes in new homes.

9.1.1	Compliance	01
9.1.2	External walls	01
9.1.3	Walls and ceilings	03
9.1.4	Doors and windows	05
9.1.5	Floors	05
9.1.6	Glazing	06
9.1.7	Ceramic, concrete, terrazzo and similar tile finishes	06
9.1.8	Fitted furniture	06
9.1.9	Joint sealants	06
9.1.10	Other surfaces and finishes	07
9.1.11	External works	07



9.1.1 Compliance

Also see: Chapter 2.1

Finishes shall comply with the Technical Requirements.

Finishes that comply with the guidance in this chapter will generally be acceptable.

This guidance:

- is intended to apply when the home is substantially complete and ready for NHBC pre-handover inspection
- will be used by NHBC both during the construction process and when conducting resolutions under section 2 of the Buildmark insurance cover
- should be considered in conjunction with relevant performance standards and guidance contained elsewhere within NHBC Standards
- uses tolerances and finishes considered to be appropriate for the house-building industry and takes precedence over other recommendations
- is not intended to deal with every situation which may arise, and discretion should be exercised.

Some elements may be subject to the effects of normal thermal or drying movement, and this may occur both before and after completion.

Some materials are not uniform and are not intended to be; this includes reclaimed materials. Some colour and texture variation is inevitable; this is often used as an aesthetic feature and should be recognised in appropriate tolerances or considered separately.

The nature and extent of work necessary to remedy minor variations from the tolerances and finishes given should be proportionate and appropriate to the circumstances.

9.1.2 External walls

External walls shall be built to appropriate tolerances and have an acceptable finished appearance. Issues to be taken into account include:

- | | |
|------------------------|------------------------|
| a) fairfaced masonry | e) brick slip cladding |
| b) render | f) timber cladding |
| c) curtain walling | g) tile hanging |
| d) rainscreen cladding | h) cast stone sills. |

Tolerances and appearance should be considered:

- for the entire wall (e.g. panels and interfaces), and not for the individual elements of the construction, such as bricks, or design features and details (e.g. quoins, soldier courses and plinths)
- in daylight, and from a minimum distance of 10m.

Fairfaced masonry

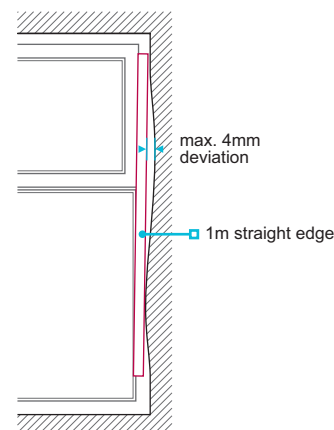
Fairfaced masonry should:

- be reasonably uniform in texture, finish and colour, including mortar
- not have excessive colour banding
- not have significant cracks in the facing bricks or other damage, such as chips and marks greater than 15mm in diameter
- be within a maximum deviation of 4mm over 1m at external reveals.

Where a fairfaced finish can only be achieved on one side (such as half brick walls), the other faces should be left neat and tidy.

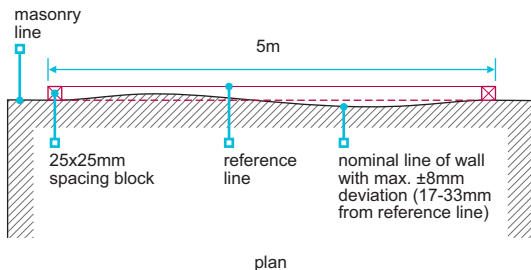
Also note:

- Some mortar blemishes will occur on individual masonry units.
- Some variation will occur in the texture, finish and colour of mortar, in individual masonry units and generally over the wall.
- Efflorescence occurs naturally in some types of masonry. It is not harmful and generally disappears over time.
- Some brick products have features or marks which may be in excess of 15mm in diameter.
- Some minor shrinkage cracking may occur between masonry units (bricks and blocks) and mortar joints.



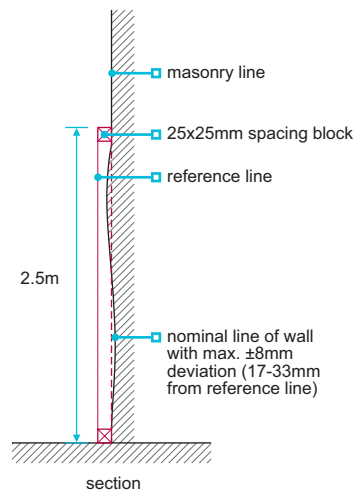
Fairfaced masonry should be:

- adequately straight on plan, with a $\pm 8\text{mm}$ maximum deviation in any length of wall up to 5m
- adequately straight in section, with a tolerance of $\pm 8\text{mm}$ per storey height (approx. 2.5m)
- a maximum of 8mm from plumb in any storey height (2.5m storey height)
- a maximum of 8mm from plumb in total for walls up to 5m high
- a maximum of 12mm from plumb in total for walls over 5m high.



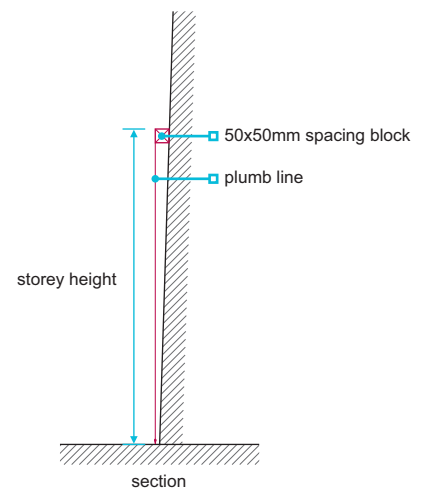
Example:
Using 25mm wide spacing blocks, the masonry line should be 17-33mm from the reference line.

Spacing block dimensions are a guide and final dimensions should ensure reference line is kept clear of the wall face.



Example:
Using 25mm wide spacing blocks, the masonry line should be 17-33mm from the reference line.

Spacing block dimensions are a guide and final dimensions should ensure reference line is kept clear of the wall face.

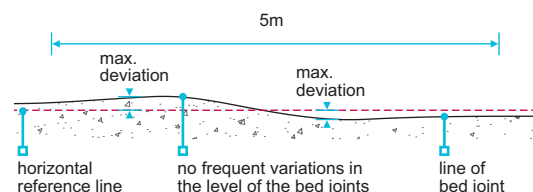


Example:
Using 50mm wide spacing block, the plumb bob should be 42-58mm from the wall.

Note:
Spacing block dimensions are a guide and final dimensions should ensure plumb line is kept clear of the wall face.

Bed joints should:

- not have frequent variations in level
- have a maximum deviation of $\pm 8\text{mm}$, in walls 5m long (a pro rata tolerance is applicable for walls less than 5m long),
- have a maximum deviation of $\pm 12\text{mm}$ in walls more than 5m long.



The thickness of an individual bed joint should not vary from the average of any eight successive joints by a maximum of 5mm.

The vertical alignment of perpend joints should not deviate significantly from the perpendicular. As bricks can vary in length, not all perpend joints will align; however, there should not be a cumulative displacement of the perpend joints in a wall.

Render

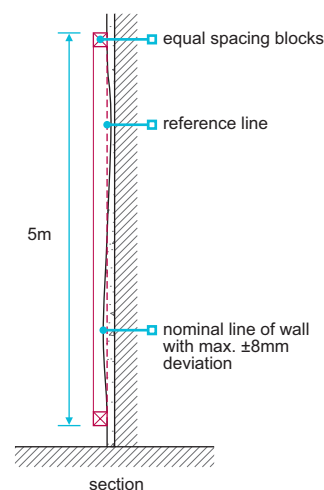
Also see: Chapter 6.11

Render should:

- be reasonably consistent in texture, finish and colour
- be flat, within a maximum $\pm 8\text{mm}$ vertical and horizontal deviation in 5m, though this may increase where render is in close proximity to features
- not have crazing more than 0.2mm wide.

Also note:

- There may be some colour variation in appearance due to differences in suction of the background and orientation of the wall.
- Daywork joints, patching and other repairs may be visible but should not be unduly obtrusive.
- Some hairline cracking and crazing is likely to occur in both traditional render and proprietary render systems. Such cracking and crazing should not impair the performance of the render.
- Areas of render in close proximity to features (e.g. bell casts) are excluded from the tolerance.
- Flatness is measured in a similar way to straightness on plan and plumb of masonry.



Example:
Using 25mm wide spacing blocks, the masonry line should be 17-33mm from the reference line.

Spacing block dimensions are a guide and final dimensions should ensure plumb line is kept clear of the wall face.

Curtain walling

Curtain walling should be within:

- reasonable tolerances and appearance for the materials
- a maximum deviation of $\pm 2\text{mm}$ in any storey height or structural bay width, and $\pm 5\text{mm}$ overall, unless otherwise specified in the design.

Rainscreen cladding

Rainscreen cladding should be within:

- reasonable tolerances and appearance for the materials
- a maximum deviation of $\pm 3\text{mm}$ in any storey height or structural bay width, unless otherwise specified in the design.

Brick slip cladding

Brick slip cladding should be within:

- reasonable tolerances and appearance for the materials
- $\pm 8\text{mm}$ maximum vertical and horizontal deviation from flatness in 5m
- a tolerance of $\pm 8\text{mm}$ maximum deviation for each 5m section of wall for bed joints (a pro rata tolerance is applicable for walls less than 5m long).

Timber cladding

Variation in colour may occur in uncoated timber exposed to the weather, and the rate and extent may vary.

Also note:

- The effects of normal weathering may cause certain uncoated timber, over time, to develop a silver/grey colour.

Tile hanging

Panels should be reasonably uniform in appearance, particularly at abutments, and may vary in colour and size depending on the manufacturing process.

Cast stone sills

Surface abrasions and chips which occur on site should be removed in accordance with the manufacturer's recommendations, which may include filling, polishing out, respraying or painting as appropriate.

Also note:

- Cast stone is manufactured with natural products and colour variations are inevitable.
- Efflorescence, fungicidal growth and colour variation may occur due to orientation, shading and pollution.

9.1.3 Walls and ceilings

Walls and ceilings shall be built to appropriate tolerances and have an acceptable finished appearance.

Issues to be taken into account include:

- a) plastering and dry lining
- b) blockwork walls in garages
- c) skirtings.

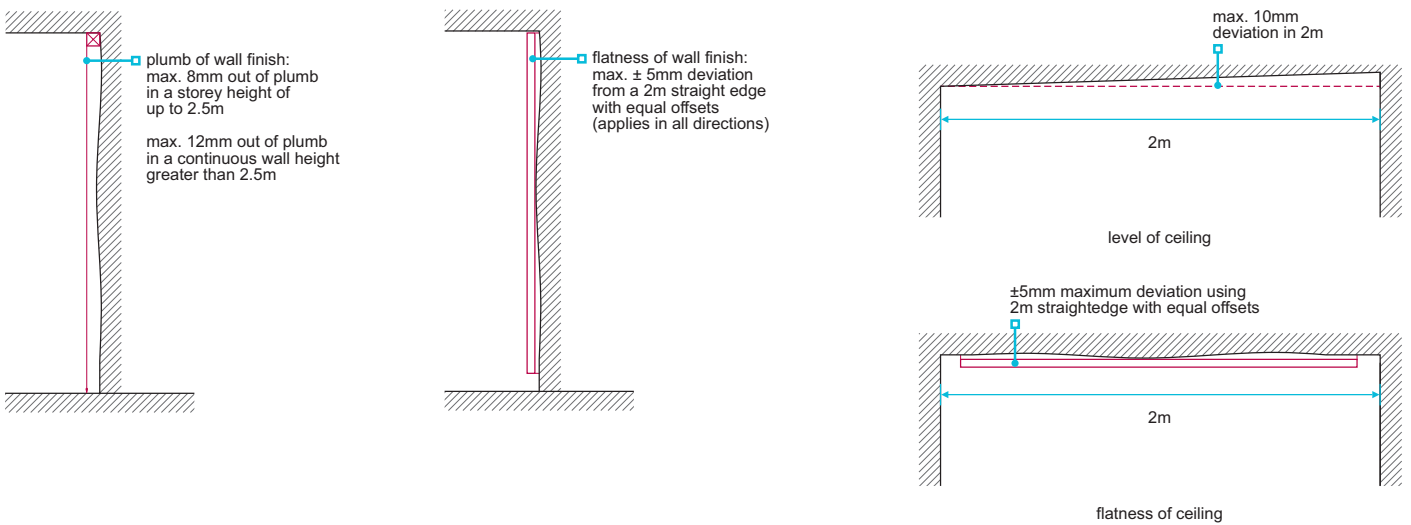
For walls and ceilings:

- surfaces should be reasonably uniform, although there may be minor textural differences around lights and other fittings
- there should be no visible gaps between fittings and the surface (e.g. around switch plates)
- jointing tape should be fully covered and unobtrusive in the finished surface.

Plastering and dry lining

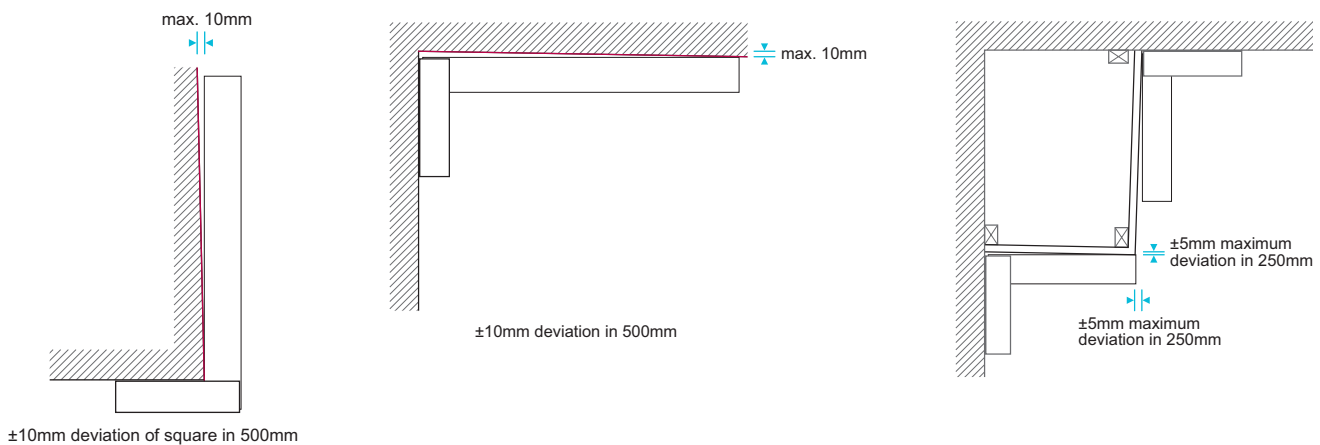
For plastered and dry lined surfaces:

- board joints should be within a maximum 3mm deviation, measured using a 450mm straight edge with equal offsets
- walls should be adequately flat and within a $\pm 5\text{mm}$ deviation measured using a 2m straight edge with equal offsets
- the finish should be a maximum 8mm from plumb for walls up to 2.5m
- the finish should be a maximum 12mm of plumb for a continuous wall height over 2.5m.



Setting out of corners, duct casings, access covers and any associated framing should be:

- square
- neat and tidy
- provided with an appropriate decorative finish.



Also note:

- In plastered walls and ceilings, some tooling marks may be visible.
- Some cracking (up to 2mm wide) may occur at wall, floor and ceiling junctions, due to shrinkage and differential movement of materials.
- Small cracks may occur in wall finishes which pass across floors (e.g. in staircase walls).
- Where stair strings abut a wall, a crack of up to 4mm may appear as a result of shrinkage of materials.

Blockwork walls in garages

Cracks, up to 2mm wide, in unplastered blockwork walls may be evident due to thermal movement and shrinkage.

Skirtings

Where skirtings are installed:

- the gap between the floor finish (without coverings) and the bottom of the skirting should not exceed 5mm
- joints should present a continuous appearance when viewed from a distance of 2m in daylight (some initial shrinkage of the skirting may already be evident at completion of the property).

Also note:

- The gap between the floor finish and the skirting may increase due to normal drying out, shrinkage and/or deflection, particularly in timber floors.
- Gaps may appear at joints and corners due to shrinkage, and between the wall finish and skirting due to drying out, shrinkage and fixing position.

9.1.4 Doors and windows

Doors and windows shall be installed to appropriate tolerances, including openings in walls, and external openings viewed from the inside.

Openings in walls (including external openings viewed from the inside) should:

- be flat along the length of sills and window boards, with a maximum deviation of $\pm 3\text{mm}$ in every 1m
- be level within 3mm across the sill measured from the frame (tiled sills may slope away from the window)
- have level heads and sills, a maximum of 5mm from level for openings up to 1.5m, and 8mm where larger
- have plumb reveals, a maximum of 5mm for openings up to 1.5m, and 8mm where larger
- be square within a $\pm 5\text{mm}$ maximum deviation for reveals up to 250mm deep

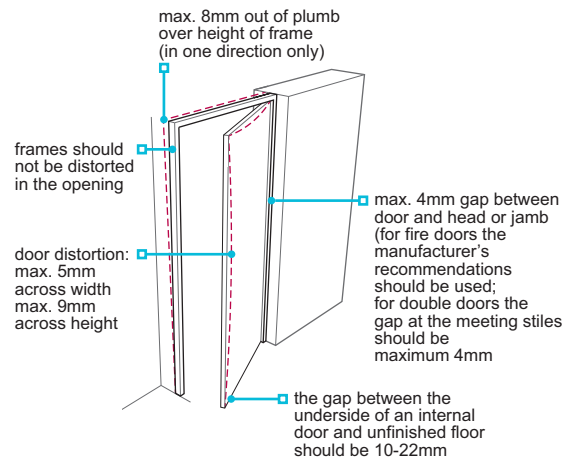
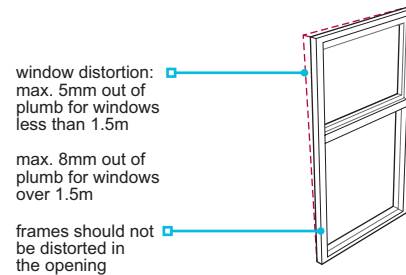
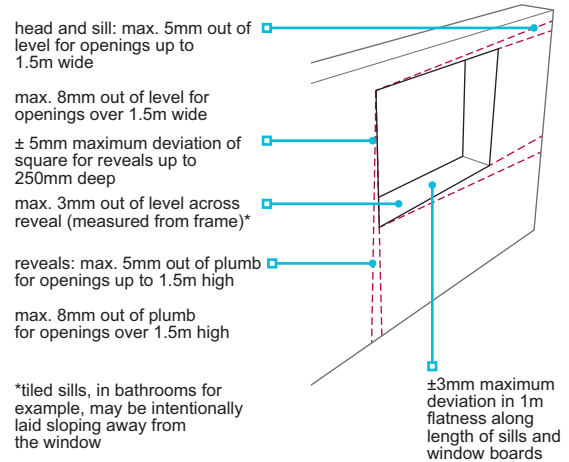
Window frames should not be distorted in the opening, and a maximum from plumb of:

- 5mm when up to 1.5m in height
- 8mm where larger.

Doors and frames should always be installed in accordance with the manufacturer's recommendations, not be distorted in the opening, and:

- frames should be within 8mm of plumb over the height of the frame and not out of plumb in two directions
- the gap between the door and head or jamb limited to a maximum of 4mm (for double doors, the gap at the meeting stiles should be within 4mm)
- distortion across doors limited to a maximum 9mm in the height, and 5mm in the width
- the gap between the underside of the door and unfinished floor limited to between 10-22mm (the covering should be selected accordingly, or the door height adjusted; in England and Wales, where a builder provides a floor finish, there should be a gap of 10mm between the bottom of 760mm wide doors and the floor finish).

The tolerances in this clause are without prejudice to satisfactory performance for weathertightness, exclusion of draught and fire resistance.



9.1.5 Floors

Floors shall be built to appropriate tolerances.

Floors should be:

- level within a 4mm deviation per 1m for floors up to 6m across
- a maximum of 25mm out of level for floors over 6m across
- flat within a $\pm 5\text{mm}$ deviation, measured using a 2m straight edge with equal offsets.

Underfloor service ducts should be constructed so that the cover is level with the adjacent floor finish. The selection of floor finish should take into account that drying shrinkage of the floor may result in minor differences in level between the floor and duct cover, which may become evident with some types of thin floor coverings.

Also note:

- The effects of normal drying shrinkage on screeded floors may cause minor cracking.
- Timber floors and staircases naturally shrink as they dry. As this drying occurs, it may result in squeaking components as they move against each other. This is normal and to be expected.

9.1.6 Glazing

Glass shall be free of undue defects.

Glass should be checked in daylight, from within the room and from a minimum distance of 2m (3m for toughened, laminated or coated glass). The following are acceptable where they are not obtrusive or bunched:

- Bubbles or blisters.
- Hairlines or blobs.
- Fine scratches not more than 25mm long.
- Minute particles.

The above does not apply to areas within 6mm of the edge of the pane, where minor scratching may occur.

9.1.7 Ceramic, concrete, terrazzo and similar tile finishes

Ceramic, concrete, terrazzo and similar tile finishes shall have an appropriate appearance.

For ceramic, concrete, terrazzo and similar tile finishes:

- joints should be straight and in alignment, unless the tiles are, by design, irregular in shape
- wall tile joints should be a minimum of 1mm
- floor tile joints should be a minimum of 3mm, unless otherwise specified by the manufacturer
- joints in floor tiles should generally not exceed the tile thickness, although wider joints up to 10mm may be necessary to accommodate dimensional irregularities in some tiles
- should limit the effect of dimensional irregularities. Joints should be 'evened out' to maintain a regular appearance
- the variation in surface level should be within ± 3 mm measured using a 2m straight edge with equal offsets
- the variation in surface level between adjacent tiles should be; 1mm or less where the joint is up to 6mm wide, or 2mm or less where the joint is over 6mm wide.

9.1.8 Fitted furniture

Fitted furniture shall have an appropriate appearance.

Fitted furniture, including doors and drawers, should:

- be visually aligned (vertically, horizontally and in plan), and there should not be significant differences in level at the intersection of adjacent worktops
- operate as intended by the manufacturer
- have uniform gaps between adjacent doors and/or drawers where appropriate
- not have conspicuous abrasions or scratches on factory-finished components when viewed in daylight from a distance of 0.5m.

Also note:

- No dimensional tolerance has been set for gaps between adjacent doors and/or drawers or for their alignment, because some variation will be necessary to take account of adjustments as part of the fitting process.
- No dimensional tolerance has been set for the abutment of adjacent worktops due to the variety of materials available and because minor variations, even with manufactured products, are inevitable and small differences in height may be unavoidable.
- Fitted furniture should be viewed from a distance of 2m.
- Conspicuous surface abrasions caused during installation should be removed in accordance with the manufacturer's recommendations which may include filling, polishing out, respraying or painting as appropriate.
- In rooms or areas where there is no daylight, scratches should be viewed in artificial light from fixed wall or ceiling outlets and not from portable equipment.

9.1.9 Joint sealants

Joint sealants shall have a neat and tidy appearance.

Sealants should be tooled to:

- remove blisters and irregularities
- achieve a compact, smooth neat surface finish.

Also note:

- Joints should be viewed from a distance of 2m, but may be less, depending on the location (e.g. showers and baths).

9.1.10 Other surfaces and finishes

Other surfaces and finishes shall have an appropriate appearance.

Other surfaces and finishes should:

- be reasonably smooth and free from nail holes, cracks and splits
- have joints filled
- be reasonably uniform in colour, texture and finish.

Where there are two or more adjacent socket, switch or service outlets, they should be aligned horizontally.

Where garage floors have not been sealed, dusting may occur.

Painted and varnished surfaces should be even in appearance and free from conspicuous runs and prominent brush marks.

Also note:

- Surfaces should be viewed in daylight from a distance of 2m and not by shining artificial light on the surface. Wall lights or uplighters should be switched off.
- Timber surfaces may show limited raised grain, and the colour and texture may also vary.
- Drying shrinkage of timber may cause cracking of the paint finish, particularly where joints occur in plaster and woodwork.
- Where painted surfaces are touched up, minor colour variations may occur.
- External finishes will dull over time, depending on a number of factors such as exposure to sunlight, rain and pollutants.
- Resin is likely to exude from knots, causing discoloration of paintwork, even though modern primers contain a compound to limit this.

9.1.11 External works

External works (including drives, paths, decks, terraces and balconies) shall have appropriate finishes.

Drives, paths, decks, terraces and balconies should be:

- within a maximum ± 10 mm deviation measured using a 2m straight edge with equal offsets; however, localised falls into gulleys and channels are acceptable
- designed and constructed to minimise the potential for standing water.

One hour after rain has stopped, areas of temporary standing water should not be deeper than 5mm or exceed 1m².

Temporary standing water is not permitted adjacent to entrance doors.

Also note:

- Displacement and variations in surface levels, including scuffing and pitting, may arise due to settlement, natural ground movement and traffic.

Drainage covers should:

- align with the adjacent ground or surface finish (for channels, the cover should be set below the adjacent ground)
- the difference in height between a cover and the adjacent hard surfaces should allow for future settlement.

Wall and ceiling finishes

CHAPTER 9.2

This chapter gives guidance on meeting the Technical Requirements for internal wall and ceiling finishes.

9.2.1	Compliance	01
9.2.2	Provision of information	01
9.2.3	Plastering	01
9.2.4	Dry lining	02
9.2.5	Ceramic wall tiling	05



9.2.1 Compliance

Also see: Chapter 2.1

Wall and ceiling finishes shall comply with the Technical Requirements.

Wall and ceiling finishes that comply with the guidance in this chapter will generally be acceptable.

9.2.2 Provision of information

Designs and specifications shall be produced in a clearly understandable format, include all relevant information and be distributed to the appropriate personnel.

Designs and specifications should be issued to site supervisors, relevant specialist subcontractors and suppliers, and include the following information:

- Schedule of finishes.
- Plaster thickness, mix and special requirements.
- Installation details of vapour checks behind dry lining.
- Fixing specification.
- Extent and detail of tiled surfaces.
- Location of services adjacent to tiled surfaces.

9.2.3 Plastering

Also see: Chapter 8.1

Plastering shall provide an adequate substrate for the decorative finish.

Materials for plastering should be in accordance with BS 8481 and those listed in Table 1.

Where plaster is intended to contribute to fire resistance or sound insulation, overall performance should be in accordance with the building regulations.

Table 1: Materials for use in plastering

Plasters	BS EN 13279	'Gypsum binders and gypsum plasters'.
	BS 5270-1	'Specification for polyvinyl acetate (PVAC) emulsion bonding agents for indoor use with gypsum building plasters'.
Metal laths and beads	BS 405	'Specification for uncoated expanded metal carbon steel sheets for general purposes'.
	BS EN 13658-1/2	'Metal lath and beads. Definitions, requirements and test methods'.

The background should be:

- given an appropriate treatment before plastering, in accordance with BS 8481
- suitably finished to provide an adequate key
- checked to ensure adequate and even suction
- sufficiently even to provide a reasonably flat plaster finish (excessive 'dubbing out' should be avoided).

Mixed background materials and associated differential movement can lead to cracks and should be avoided. Suitable precautions should be taken, e.g. using metal lathing.

Metal beads should be used to provide edge protection, and be fixed with zinc-plated fasteners, as recommended by the manufacturer.

Table 2: Recommended treatments for substrates

Surface	Treatment
High-density clay, or concrete bricks and blocks and dense concrete (including soffits)	Suitable bonding treatment, hacking, spatterdash, or stipple.
Mixed backgrounds, e.g. concrete with bricks/blocks	May require expanded metal to provide key for plastering and to reduce the effects of differential movement.
Lightweight concrete blocks	Plaster should not be stronger than recommended by the blockwork manufacturer.
Autoclaved aerated concrete blocks	Plastering should be conducted in accordance with the manufacturer's recommendations, accounting for the moisture content of the blocks.
Normal clay brickwork and concrete block	May require raked joints or the use of keyed bricks.
Plasterboard	Guidance is contained in BS 8212.

Where services are to be concealed by plaster, they should be:

- completed and tested before plastering
- protected against the adverse effects of chemical action or thermal movement.

To avoid surface cracking; metal lathing or wire netting should be used where there is an insufficient depth of plaster.

The plaster mix should be:

- as specified, or as recommended by the plaster manufacturer for the particular location and use
- appropriate for the strength and surface characteristics of the background
- an appropriate quality for the intended finish
- checked to ensure undercoats and finishing coats are compatible
- applied by suitably trained operatives (specifically where plastic compound finishes are used)
- of a type that does not include Portland cement and gypsum plaster in the same mix.

When plastering:

- completed work, especially timber, chipboard and glazing, should be protected from damp and damage
- in cold weather, follow the guidance in chapter 3.2 'Cold weather working' (plasterwork damaged by frost should be removed and replaced)
- dubbing out should be conducted well in advance of the application of the first coat
- surfaces should be dry, clean and free from laitance, grease, loose material or substances likely to prove harmful to the bond or the intended finished appearance of the plaster
- ensure plaster is thoroughly mixed but avoid prolonged mixing
- avoid mixing excessive quantities of plaster (plaster should not be retempered)
- the background surface of each coat should be fully set (the surface should not be overworked, and adequate time should be left between coats to allow strength and suction to develop)
- the number of coats should be sufficient to achieve a reasonably plane finish
- finished surfaces, reveals, soffits to openings, external angles, etc. should be in accordance with Chapter 9.1 'A consistent approach to finishes'
- the plaster should be applied to a thickness, excluding dubbing out, in accordance with Table 3.

Table 3: Plaster thickness

	Surface to be plastered	Minimum number of coats	Thickness of plaster
Walls	Metal lathing	3	13mm (nominal from lathing)
	Brickwork	2	13mm maximum
	Blockwork	2	13mm maximum
	Plasterboard or concrete	1	Sufficient to provide a crack-free surface
Ceilings	Concrete	2	10mm maximum
	Plasterboard	1	Skimcoat

9.2.4 Dry lining

Dry lining shall provide an adequate substrate for the decorative finish. Issues to be taken into account include:

- a) installation
- b) vapour control
- c) detailing and support
- d) fixing.

Installation

Dry lining should:

- not be started until the building is substantially weatherproofed
- be programmed so that finishes are applied as soon as possible after completion
- provide performance in accordance with building regulations where it contributes to fire resistance
- ensure that gap sealing is specified where necessary to prevent draughts.

Table 4: Standards relevant to dry lining

BS 1230	'Gypsum plasterboard'.
BS 8212	'Code of practice for dry lining and partitioning using gypsum plasterboard'.

Vapour control

Vapour control layers should be used to reduce the risk of interstitial condensation, and be installed in accordance with:

- Chapter 6.2 'External timber framed walls'
- Chapter 7.1 'Flat roofs, porches and balconies'
- Chapter 7.2 'Pitched roofs'.

Detailing and support

Support should be provided to plasterboard in accordance with Table 5.

Table 5: Frequency of support for plasterboard

Board thickness (mm)	Maximum timber support centres (mm)	Intermediate noggings required	Perimeter noggings required
9.5	400	No	Yes
	450	Yes	Yes
12.5	400	No	Yes
	450	No	Yes
	600	Yes	Yes
15	600	No	No

When fixing boards:

- damaged boards should not be used
- they should be fixed face side out, appropriate for plastering or directly applied finishes
- cut edges should finish over a support or nogging (though are permitted, where necessary, at perimeters)
- additional intermediate noggings may be required where fire resistance is necessary
- there should be adequate support for light points, socket outlets and other service installations
- openings for services and electrical outlets should be accurately cut (gaps in vapour control layers should be taped and sealed)
- ceiling boards should be staggered to minimise any risk of cracking.

Joints between boards should be neatly formed, flush, and suitably finished:

- with scrim tape or paper tape, where boards are to be plastered
- with tape, and filled, where boards are not to be plastered (tapered edge boards should be used for directly applied finishes), or
- as recommended by the manufacturer.

Where double layers of plasterboard are used, they should:

- be positioned so joints are staggered between layers
- have the first layer fully fixed and have all cut edges supported
- have the second layer supported on all edges with noggings provided to suit.

Dry lining should be:

- completely taped and filled at board joints and at the abutments to ceilings and internal walls
- finished to an appropriate standard and in accordance with Chapter 9.1 'A consistent approach to finishes'.

Fixing

Plasterboard should be fixed to:

- timber using plasterboard nails or dry wall screws
- metal using dry wall screws, or
- masonry using adhesive dabs.

Where insulated dry lining is used, nailable plugs should be specified in accordance with the manufacturer's recommendations, and at a minimum of two per board.

Nails or screws should not project above the board surface and should be:

- 10mm minimum from paper-bound edges
- 13mm minimum from cut ends of boards
- 6mm minimum from edges of timber members.

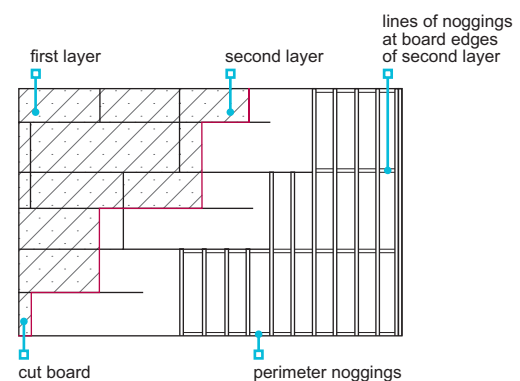


Table 6: Acceptable fixing centres and fixings

Fixing	Location and spacing	Coating
Nail	Walls and ceilings: approximately 150mm centres (eight per linear metre)	Hot dip galvanised, zinc electroplated or sheradised steel
Screw	Ceilings: approximately 230mm centres (eight per two linear metres) Walls: approximately 300mm centres (five per linear metre)	Zinc electroplated or black phosphate (or to the board manufacturer's recommendations)

Table 7: Acceptable fixing lengths

Board thickness (mm)	Nail length (mm)	Screw length (mm) into timber	Screw length (mm) into steel
9.5	30	32	22
12.5	40	36	22
15	40	36	25

Where dry lining is fixed with adhesive dabs, it should be:

- securely fixed and filled at external and internal corners, including door and window openings
- filled with jointing compound where required, at gaps around service points, electric sockets, light switches, etc.
- installed with a continuous ribbon of adhesive to the perimeter of external walls, and around openings and services, to prevent air infiltration.

Adhesive dabs should be at 300mm centres measured vertically, and in accordance with Table 8.

Table 8: Dabs according to board dimensions

Thickness of wall board (mm)	Width of wall board (mm)	Dabs per board (rows)
9.5	900	3
9.5	1200	4
12.5	1200	3

Dry lining to receive ceramic wall tiling should be supported in accordance with Table 9 or the guidance given in BS 8212.

Table 9: Board fixing guidance for walls to receive ceramic tiles

Description	Board thickness (mm)	Support centres (mm)	Additional support	Maximum height (mm)	Comments
Timber frame (including stud walling)	12.5, 15	400-450 600	No Timber noggings 600mm centres (measured vertically)	3 600 3 600	
Timber battens	12.5, 15	400	Battens at head, base and intermediate positions not exceeding 1200mm centres	3 600	
Direct bond	9.5	450 dabs of adhesive in rows	Horizontal dabs at mid-storey height	3 600	Complete at least 10 days before tiling
Independent steel stud lining, 48mm or 60mm	2 x 12.5	400	Mid-point support	3 000	
48mm metal stud partitions	15 2 x 12.5 each side, or 2 x 15 each side	400 400		2 700 3 600	
70mm metal stud partitions	15 2 x 12.5 each side, or 2 x 15 each side	400 400		3 600 3 600	
146mm metal stud partitions	2 x 15 each side	600	Additional stud at 300mm up to tile height	3 600	

9.2.5 Ceramic wall tiling

Ceramic wall tiling shall provide a surface adequate for its location and intended use (including appearance and durability).

Where a fixed shower or showerhead fixing is provided over a bath, at a height that will permit persons to stand under it:

- a screen or other suitable means of containing the water should be provided
- surfaces which will become regularly wetted should be tiled or have an appropriate alternative water-resistant finish.

Backing surfaces for tiling should:

- be in accordance with Table 9 and BS 8212
- be strong enough to support the weight of the adhesive and tiling (where separate coats are used, they should be well bonded)
- provide an adequate mechanical key
- be sufficiently even to achieve an even and plane tiled surface
- provide adequate and reasonably consistent suction
- avoid differential movement; where this may occur, precautions should be taken, e.g. metal lathing or wire netting fixed across junctions
- be moisture resistant, where frequent wetting occurs
- be dry, clean and free from laitance, grease, loose material or any substance likely to affect the bond or finish
- be reasonably even (i.e. not have gaps greater than 3mm for thin bed adhesives or 6mm for thick bed adhesives, when using a 2m straight edge).

Where the backing surface contains soluble salts, and where cement mortar is used as an adhesive, precautions should be taken, such as the use of mortar with sulfate-resisting cement.

Gypsum plasters should not be used where:

- repeated or persistent heating occurs, e.g. on flues or near heat sources
- repeated or persistent wetting may occur.

Backgrounds may be improved by:

- raking out masonry joints
- hacking and scratching
- applying a bonding agent (particularly on very smooth and dense surfaces).

Tiles should be appropriate for their location and intended use. When specifying tiles, consideration should be given to:

- surface finish
- size and thickness
- colour
- edge shape
- fittings (coves, skirtings, etc.)
- accessories (soap tray, paper holder, hooks, etc.).

Tiles should be:

- fixed in accordance with manufacturers' instructions
- suitable for the location, intended use and background; their weight on lightweight plaster should not exceed 20kg/m²
- fixed according to the background, using cement mortar or proprietary adhesive
- solidly bedded in water-resistant adhesive on a moisture-resistant background, where frequent wetting occurs.

Table 10: Standards for tiling

BS EN 14411	'Ceramic tiles. Definitions, classification, characteristics and marking'.
BS EN 12004	'Adhesives for tiles. Definitions and specifications'.
BS EN 13888	'Grouts for tiles. Definitions and specifications'.

When tiling:

- courses should be straight and even to form a plane and regular surface, especially around fittings and fixtures
- there should be no cut or unfinished tiles at exposed edges or external corners
- joints should be even and cut neatly
- spacing should be sufficient to allow for expansion
- up to sanitary fittings and fixings, the sealing method should be in accordance with the design and account for movement
- proprietary water-resistant grouting should be used in accordance with the manufacturer's recommendations.

Appropriately designed movement joints should be:

- built into tiling at centres at a maximum of 4.5m, vertically and horizontally
- provided at vertical corners in large tiled areas
- located at junctions where there are variations in surfaces or backgrounds
- 1-2mm where tiles are without spacer lugs.

Grouting should be:

- as specified in the design, including mix and colour
- cement-based epoxy resin or a proprietary product
- waterproof in and around shower enclosures and where tiling can be saturated.

Floor finishes

CHAPTER 9.3

This chapter gives guidance on meeting the Technical Requirements for floor finishes, including:

- integral insulation
- screeds
- ceramic, concrete and similar tiles
- flexible sheet and tiles
- woodblock
- asphalt.

9.3.1	Compliance	01
9.3.2	Provision of information	01
9.3.3	Insulation	01
9.3.4	Screed	01
9.3.5	Ceramic, concrete, terrazzo and similar tile finishes	03
9.3.6	Wood finishes	04
9.3.7	Flexible sheet and tile finishes	05
9.3.8	Asphalt finishes	06
9.3.9	Staircase finishes	06



9.3.1 Compliance

Also see: Chapters 2.1, 5.1, 5.2, 6.4 and 8.1

Floor finishes shall comply with the Technical Requirements.

Floor finishes which comply with the guidance in this chapter will generally be acceptable (structural floors should be in accordance with the relevant Standards chapter).

9.3.2 Provision of information

Designs and specifications shall be produced in a clearly understandable format, include all relevant information and be distributed to the appropriate personnel.

Designs and specifications should be issued to site supervisors, relevant specialist subcontractors and suppliers, and include the following information:

- Schedule of finishes.
- Screed thickness and mix.
- Details of sound insulating floors.
- Extent and detail of tiled surfaces.
- Location of services adjacent to tiled surfaces.
- Details of staircase finishes.

9.3.3 Insulation

Thermal and acoustic insulation shall provide appropriate performance, and be suitable for the intended location and use.

Materials and constructions which are in accordance with building regulations are generally acceptable.

Suitable sound insulation materials include:

- flexible material
- mineral fibre quilt insulation
- board material for use under screeds (e.g. impact sound duty (ISD) grade pre compressed expanded polystyrene)
- proprietary products which have been assessed in accordance with Technical Requirement R3.

Table 1: Thermal insulation materials

Material	Standard	Grade or description
EPS (expanded polystyrene)	BS EN 13163	70
PUR (rigid polyurethane)	BS 4841	For use under screeds
PIR (rigid polyisocyanurate)		
Fibre building board	BS 1142 Part 3	Insulating board (softboard)
Proprietary material	Technical Requirement R3	

9.3.4 Screed

Also see: Chapters 3.2 and 8.1

Non-structural floor screeds shall be adequate for the location and intended use, and provide a suitable background for floor finishes. Issues to be taken into account include:

- a) installation
- b) screed thickness
- c) screed over insulation.

Installation

Before screeding, background surfaces should be:

- clean and free of debris (e.g. dust and gypsum removed); concrete should be wetted and brushed
- suitably prepared to provide an adequate mechanical key, where bonded screeds are required, cement grouting or a bonding agent should be specified to provide adequate adhesion.

Damp proofing should be completed before screeding starts.

Screeding should not take place in weather conditions which could adversely affect the finished construction, and:

- should be scheduled to allow suitable drying time before following trades
- in hot or dry weather, precautions should be taken to prevent the screed surface drying out too quickly
- in cold weather, screeds should not be installed (screed damaged by cold should be removed and replaced).

Non-structural screed should be:

- installed to the specified thickness and provide an even surface, suitable for the intended finish in accordance with the relevant British Standards and the floor finish manufacturer's recommendations
- of a suitable sand cement mix (generally between 1:3 and 1:4½ cement:sand). Where deeper than 40mm, concrete may be used
- (where the floor is to include a monolithic slab) installed within three hours of the concrete sub-floor being poured.
- mixed using only proprietary additives that have been assessed in accordance with Technical Requirement R3
- thoroughly compacted, where required by the design, using either a heavy tamper, mechanical compactor or vibrator.

Proprietary non-structural screeds should be installed in accordance with the manufacturer's recommendations.

Surface sealers or hardeners should only be used in accordance with the manufacturer's instructions.

Where services are bedded in the screed:

- there should be a minimum 25mm of cover over the highest point of pipes and insulation
- provision should be made for the thermal movement of water pipes
- pipes should be protected against chemical attack (e.g. by using purpose-made sleeves or ducts).

Non-structural screed over underfloor heating should:

- be sub-divided into bays not exceeding 40m², with a maximum length of 8m, or installed per room
- have expansion joints which are consistent with those in the slab.

Where concrete floor slabs are to serve directly as a wearing surface without an additional topping, they should be in accordance with BS 8204-2 and power floated.

Completed floor finishes should be protected against damage from traffic.

Standards relevant to screeding include:

BS 8204	'Screeds, bases and in-situ floorings. Code of practice'.
BS 8201	'Code of practice for installation of flooring of wood and wood-based panels'.
BS 8203	'Code of practice for installation of resilient floor coverings'.

Non-structural screed thickness

Thickness of cement and sand screeds should be in accordance with with Table 2.

Table 2: Thickness of non-structural screed

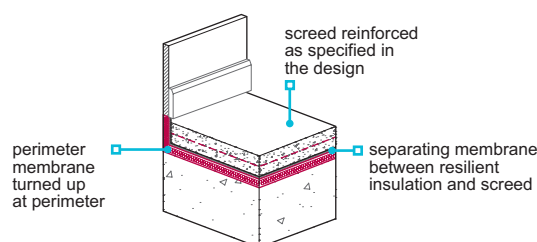
Method of laying	Minimum thickness at any point (mm)
Installed monolithically with base	12
Installed on, and bonded to, a set and hardened base	20
Installed on a separating membrane (e.g. 1000g polyethylene)	50
Installed on resilient slabs or quilts (screed reinforced with wire mesh)	65
Above services, reinforcement or insulation to services	25

For concrete ground-bearing floors, a maximum 20mm monolithic screed may be acceptable as part of the required thickness.

Screed over insulation

Where screed is to be installed over insulation, the screed should be reinforced, and the insulation should:

- provide adequate compressive strength to support wet construction screeds and floor loads
- be tightly butted and, where required, turned up at perimeters to prevent cold bridging
- be separated from the screed by a membrane (the membrane should be compatible with the insulation, and have joints lapped and taped, and be turned up at the perimeter).



Sound insulating floating floors should be in accordance with building regulations.

9.3.5 Ceramic, concrete, terrazzo and similar tile finishes

Tile flooring shall provide a suitable wearing surface for the location and intended use.

Before tiling is started:

- ensure that the substrate is sufficiently dry (generally, six weeks for concrete bases and three weeks for screed is adequate)
- ensure the substrate is reasonably true and level ($\pm 3\text{mm}$ using a 3m straight edge), and installed to falls where required
- differences in level should be dubbed out
- the surface should be clean and free from laitance, dirt, dust, grease and materials incompatible with the adhesive.

When installing tiles to floors:

- they should be bedded on a solid bed of mortar or proprietary adhesive, of a thickness appropriate for the material
- the manufacturer's recommendations should be followed where proprietary adhesives are used
- they should be arranged to minimise cutting and to provide joints which are straight, neat, and of even width
- accessories, such as covings and skirtings, should match the tile pattern, and be fixed so that joints are aligned with those in the floor
- they should be installed with minimum 3mm joints, unless otherwise specified by the manufacturer.

Where tiles are to be fixed to a wood-based substrate:

- the floor should be designed to take the additional loads of tiles, and any other materials (e.g. overlays)
- they should be suitable for laying over a timber base
- they should be bedded with deformable (flexible) tile adhesive, e.g. C2S1, and grouted in accordance with the manufacturer's recommendations

Timber floor decking should be:

- plywood for use in exterior conditions (minimum 15mm for joists at 400/450mm centres and minimum 18mm for joists at 600mm centres) screwed to the joists at 300mm centres with all square edges supported on joists or noggings (plywood should be installed with a 1.5-2mm movement gap between boards and at abutments, and be acclimatised to the room conditions and sealed on the underside and square edges, before laying, with a suitable sealer such as polyurethane varnish) or
- chipboard floor decking overlaid with minimum 10mm plywood suitable for exterior conditions, acclimatised, sealed and fixed as previously indicated, or proprietary separating/decoupling layers, tile backer boards or tile bedding reinforcement sheets used in accordance with the manufacturer's recommendations.

Movement joints should be:

- provided around the floor perimeter and at rigid upstands, where tiled areas are wider than 2m
- used to separate bays at 8-10m centres
- a minimum of 3mm wide unless otherwise specified by the manufacturer.

Grout should be:

- cement-based epoxy resin or a proprietary product
- water resistant, where tiles may become saturated.

Standards relevant to floor finishes include:

BS 8204-3	'Screeds, bases and in-situ floorings. Polymer modified cementitious levelling screeds and wearing screeds. Code of practice'.
BS EN 13748-1	'Terrazzo tiles for internal use'.
BS EN 14411	'Ceramic tiles. Definitions, classification, characteristics, evaluation of conformity and marking'.
BS 5385	'Wall and floor tiling'.

9.3.6 Wood finishes

Also see: BS 5250 and BRE Report 'Thermal insulation: avoiding risks'

Wood and wood-based flooring shall provide a suitable wearing surface for the location and intended use. Issues to be taken into account include:

- a) thermal insulation and DPMs
- b) sound insulation
- c) condition of the substrate
- d) directly applied finishes
- e) indirectly applied finishes.

Wood and wood-based flooring should be installed ensuring that:

- services beneath the floor finish are tested before the floor is installed
- underfloor heating is kept on, before and during the floor laying
- wood finishes are conditioned to the appropriate moisture content
- where required, DPMs are incorporated, in accordance with manufacturer's recommendations and the design.

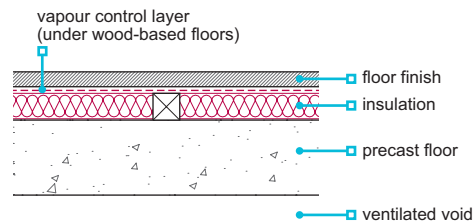
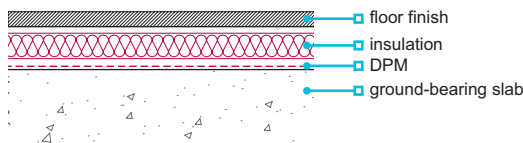
Standards relevant to wood floor finishes include:

BS 8201	'Code of practice for installation of flooring of wood and wood-based panels'.
BS 1187	'Specification for wood blocks for floors'.
BS 4050	'Specification for mosaic parquet panels'.
BS 1202	'Specification for nails'.
BS 1297	'Specification for tongued and grooved'.

Thermal insulation and DPMs

Methods of providing insulation include:

- insulation positioned above in-situ concrete slab (DPM required)
- insulation positioned above dry, precast system (DPM not required).



Proprietary insulated flooring should be in accordance with:

- Technical Requirement R3
- manufacturer's recommendations on vapour control layers and DPMs.

Sound insulation

Floating floor finishes should be designed and constructed to:

- isolate the floor finish from the supporting floor and walls
- avoid excessive movement or squeaking
- avoid the use of fixings which penetrate the insulation layer
- ensure there are no airpaths, especially at the perimeter.

Where flooring is to be installed on a resilient material on a separating floor, edges should be isolated from walls and skirtings by a resilient layer.

Where a floor relies on a soft floor covering to provide the minimum standard of sound insulation, the covering should be fixed permanently in position.

Condition of the substrate

Screeds or concrete to receive wood flooring should be dry. The floor should:

- be tested and the moisture content suitable, in accordance with BS 8201
- be allowed to cure for a sufficient period of time (generally two months for 50mm screed, and six months for concrete slabs), or
- have a DPM or vapour control layer incorporated in the floor construction to protect the wood finishes (moisture should not be trapped between the layers).

Screeds or concrete to receive wood flooring should:

- be free from high spots, nibs and major irregularities
- have differences in level dubbed out.

Directly applied finishes (wood blocks, parquet, wood mosaic, etc.)

Directly applied finishes should be installed:

- in accordance with the manufacturer's recommendations
- using evenly spread adhesives
- using the correct adhesives, e.g. bitumen rubber emulsion in accordance with BS 8201 or proprietary adhesives assessed in accordance with Technical Requirement R3
- according to the specified pattern, and leaving gaps around the perimeter for movement.

Screeds or concrete surfaces should be treated with a suitable primer in accordance with the adhesive manufacturer's recommendations.

Indirectly applied finishes (softwood boarding, wood-based panel products)

Indirectly applied finishes should be installed with:

- vapour control layers where required
- battens fixed to prevent excessive movement
- preservative treated battens, in accordance with Chapter 3.3 'Timber preservation (natural solid timber)'
- battens spaced in accordance with Table 3.
- provision made to support heavy items, such as storage heaters and boilers

Table 3: Spacing of battens for indirectly applied floor finishes

	Thickness of finish (mm)	Maximum batten centres (mm)
Chipboard (type P5)	18/19	450
	22	600
Plywood	15	450
	18	600
Oriented strand board (type OSB3)	15	450
	18/19	600
Other types of floor	In accordance with the manufacturer's instructions.	

Chipboard and oriented strand board should be fixed to battens:

- with flathead ring shank nails or screws
- at 200mm-300mm centres at perimeters
- with fixings 2.5 x the thickness of the board
- at 400mm centres on intermediate supports.

Plywood should be fixed to battens:

- with 10 gauge nails or screws
- at 150mm centres at perimeters
- a minimum of 10mm from the edges of boards
- at 300mm centres on intermediate supports.

9.3.7 Flexible sheet and tile finishes

Also see: BS 5250 and BRE Report 'Thermal insulation: avoiding risks'

Flexible sheet and tile finishes shall provide a suitable wearing surface for the location and intended use.

Flexible sheet and tile finishes should be:

- installed in accordance with the manufacturer's recommendations, and generally be fully bonded
- reasonably level and smooth, particularly at doorways and junctions
- installed on a backing surface which is even and without high spots or cracks; where necessary, using a levelling underlay of a type and thickness recommended by the flooring manufacturer or in accordance with Table 4
- fitted with skirtings, coves, coverstrips and other preformed components, where required, and in accordance with the manufacturer's recommendations.

Table 4: Acceptable types of underlay for boarded surfaces

Type of underlay	Minimum thickness (mm)
Hardboard	3.2
Plywood	4
Chipboard	9
Oriented strand board	6

Chipboard and oriented strand board underlay should be fixed to battens:

- with flathead ring shank nails or screws
- with fixings 2.5 x the thickness of the board
- at 200mm-300mm centres (9mm from edges)
- across the boards, at 400mm centres.

Plywood or hardboard underlay should be fixed:

- with ring shank nails or staples
- with nails/screws at least 10mm from the edge of the panel
- around perimeters, at 100mm centres (12mm from edges)
- across the sheets, at 150mm centres.

Flexible sheet flooring materials should:

- be stored in a clean and ventilated place
- not be stored in cold conditions, unless permitted by the manufacturer
- not be exposed to temperatures less than 18°C for a period of 24 hours before, or during, laying.

The substrate should be sufficiently dry to prevent adverse effects on the flooring, and where:

- there is a risk of trapping moisture or interstitial condensation, permeable finishes should be used
- flexible sheet or tile flooring is installed on ground bearing concrete floors, a DPM should be incorporated to prevent rising moisture adversely affecting floor finishes.

When installing flexible sheet or tile flooring:

- ensure underfloor services are not damaged
- it should be cut so that it fits neatly around fittings, pipes, etc.
- adhesives should be spread evenly and left for the correct period of time to ensure full bonding
- the surface should be pressed down firmly, loaded or rolled as necessary to prevent curling, lifting or bubbling
- surplus adhesive should be removed
- welded joints should be provided in accordance with the manufacturer's recommendations
- adjustment after initial contraction or expansion should be made where necessary.

Standards relevant to flexible sheet and tile finishes include:

BS EN ISO 10581	'Resilient floor coverings. Homogeneous poly(vinyl chloride) floor covering'
BS EN ISO 10595	'Resilient floor coverings. Semi-flexible/vinylcomposition (VCT) poly(vinyl chloride) floor tiles'
BS EN 650	'Resilient floor coverings. Polyvinyl chloride floor coverings on jute backing or on polyester felt backing or on a polyester felt with a polyvinyl chloride backing'
BS EN 651	'Resilient floor coverings. Polyvinyl chloride floor coverings with foam layer'
BS EN 12104	'Resilient floor coverings. Cork floor tiles'
BS 8203	'Code of practice for installation of resilient floor coverings'.

9.3.8 Asphalt finishes

Asphalt finishes shall be suitable for the location and intended use.

Asphalt should be:

- in accordance with BS 6925 (limestone aggregate)
- Grade I or II and 15-20mm thick (which applies to the floor finishes and underlay)
- applied as one coat when used as underlay for other finishes
- in accordance with the floor manufacturer's recommendations when used with a suspended floor system.

9.3.9 Staircase finishes

Also see: Chapter 6.6

Staircase finishes shall permit safe usage and be suitable for their intended use.

The rise and going should remain uniform after application of the staircase finish, including at the top and bottom of the flight.

For communal stairs (e.g. in escape routes in blocks of flats), non-slip nosings or inserts should be:

- provided where specified
- fixed in accordance with the manufacturer's recommendations.

Finishings and fitments

CHAPTER 9.4

This chapter gives guidance on meeting the Technical Requirements for finishings and fitments (including cupboards and internal trim).

9.4.1	Compliance	01
9.4.2	Provision of information	01
9.4.3	General provisions – cupboards and fitments	01
9.4.4	Finishings and internal trim	01
9.4.5	Joinery	02
9.4.6	Airing cupboards, cupboards, worktops and fitments	02
9.4.7	Ironmongery, prefabricated items and other materials	02
9.4.8	Protection and handover	03



9.4.1 Compliance

Also see: Chapter 2.1

Finishings and fitments shall comply with the Technical Requirements.

Finishings and fitments which comply with the guidance in this chapter will generally be acceptable.

9.4.2 Provision of information

Designs and specifications shall be produced in a clearly understandable format, include all relevant information and be distributed to the appropriate personnel.

Designs and specifications should be issued to site supervisors, relevant specialist subcontractors and suppliers.

9.4.3 General provisions – cupboards and fitments

The builder shall provide fixed and built-in fitments in accordance with the specification.

In kitchens, the specification should allow for:

- preparation and cooking of food
- washing up, drying and storage of dishes and utensils
- storage of dry foods
- storage of perishable foods
- laundering
- storage of domestic cleaning appliances (part of which should be suitable for brooms, upright cleaners and similar equipment)
- 1m circulation space in front of all work surfaces, cupboards and appliances.

A depth of 600mm can be assumed for appliances (where intended but not provided).

Space or facilities for laundering and cleaning items may be provided outside the kitchen area.

Space should be provided for general storage, clothes, linen and bedding. Airing cupboards are required in homes which do not have central or whole home heating.

Shelving supports should be fixed securely and so that shelves are level.

9.4.4 Finishings and internal trim

Also see: Chapter 6.8

Finishings and internal trim shall be suitable for their location and intended use, securely fixed, and finished to established standards of workmanship.

When fixing trim and components:

- they should be in accordance with the specification
- fireplace surrounds, panelling and features should be complete and suitably joined to the adjacent surfaces
- nails should be punched below the surface of timber, and holes filled
- damage should be avoided (where damage does occur, it should be made good).

Trim and finishings should be:

- sufficiently wide to mask joints around built in fitments, etc. allowing for movement and shrinkage
- fixed in accordance with building regulations (e.g. with minimum separation distances where near heat sources)
- selected and installed to give a neat appearance
- installed in accordance with the manufacturer's recommendations.

Architraves should be:

- parallel to frames and linings
- accurately mitred, or scribed, to fit tightly and neatly
- fixed with an equal margin to each frame member
- securely fixed to prevent curling.

Skirting should:

- be mitred and scribed at external and internal angles, as appropriate
- tightly abut architraves
- run level and scribed to floors.

Proprietary trim, skirting and architraves should be fixed in accordance with the manufacturer's recommendations.

9.4.5 Joinery

Wood and wood-based materials shall be of the quality and dimensions required by the design.

Joinery and the materials used should be installed to established standards of workmanship, and have no visible defects after the finish has been applied. Issues that should be taken into account include:

- fit and construction of joints (including finger joints)
- construction of moving parts
- gluing and laminating
- surface finishes.

Relevant standards include:

BS EN 942	'Timber in joinery. General requirements'
BS EN 312	'Particleboards'
BS 1186	'Timber for and workmanship in joinery'.

9.4.6 Airing cupboards, cupboards, worktops and fitments

Airing cupboards, cupboards, worktops and fitments shall be installed to provide satisfactory appearance and performance. The builder shall provide fixed and built-in fitments in accordance with the design.

Cupboards, worktops and fitments should be:

- checked to ensure they are undamaged before they are installed
- installed as shown in the design (worktops spanning between units may require additional support)
- plumb, level and scribed to wall faces, where necessary.

Cupboards should be installed ensuring that:

- doors operate freely and fit openings closely and evenly
- drawers run smoothly, and locks and catches properly engage.

Cupboards (including wall-hung units) should be securely fixed, using:

- fixings of an appropriate size, and in accordance with the manufacturer's instructions (generally, plugs and screws to masonry and screws to timber)
- the predrilled holes in units and brackets provided by the manufacturer.

Where worktops or unit panels are cut, edges should be sealed using a metal or plastic strip glued to the edge with waterproof adhesive. Alternatively, an appropriate waterproof joint may be used. Sinks and hob units which are inset in worktops, and vanity units, should be sealed with a waterproof joint.

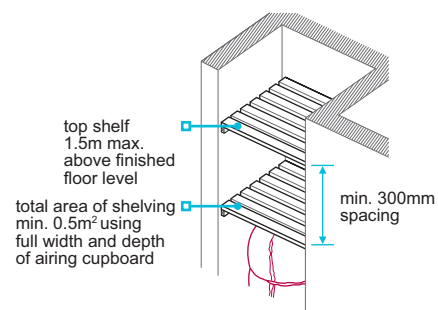
Where appropriate, gaps between fitments and wall tiling should be sealed with a waterproof joint and brought to a smooth finish.

Wardrobes should be fitted with hanging rails, and intermediate supports used where necessary to avoid bending.

Internal doors (including airing cupboard doors) should be fitted in accordance with Chapter 6.7 'Doors, windows and glazing'.

Airing cupboards should:

- be separated from other storage
- have a minimum 0.5m² of easily reached shelving suitable for the airing of clothes
- have a 300mm minimum spacing between shelves
- have a suitable heat source, such as a hot water cylinder
- not have shelving higher than 1.5m.



9.4.7 Ironmongery, prefabricated items and other materials

Ironmongery, prefabricated items and other similar materials shall be suitable for the intended use.

Relevant standards include:

- BS EN 1935 'Building hardware. Single-axis hinges. Requirements and test methods'.

9.4.8 Protection and handover

Finishings and fitments shall be suitably protected during construction, and be undamaged at handover.

Appropriate protection should be provided to finishings and fitments (including to doors, trim, balustrades, fireplace surrounds, panelling and other special features) to ensure they are not damaged. Kitchens, including cupboards, doors, fittings and worktops, should be suitably protected.

Prior to completion and handover:

- work should be left in a clean state
- decorating should be completed in accordance with chapter 9.5 'Painting and decorating'
- temporary coverings and protection should be removed, and the fitments and finishings cleaned and dusted.

Painting and decorating

CHAPTER 9.5

This chapter provides guidance on meeting the Technical Requirements for painting and decorating.

9.5.1	Compliance	01
9.5.2	Provision of information	01
9.5.3	Storage	01
9.5.4	Conditions for painting and decorating	01
9.5.5	Timber	01
9.5.6	Steel	02
9.5.7	Walls	02
9.5.8	Wallpapering	03
9.5.9	Other surfaces	03
9.5.10	Completed painting and decorating	03



9.5.1 Compliance

Also see: Chapter 2.1

Painting and decorating shall comply with the Technical Requirements.

Painting and decorating that complies with the guidance in this chapter will generally be acceptable.

Paint finishes should be selected and applied in accordance with BS 6150 'Painting of buildings. Code of practice'.

Chapter 9.1 'A consistent approach to finishes' provides further guidance on the quality of painting and decorating finishes.

9.5.2 Provision of information

Designs and specifications shall be produced in a clearly understandable format, include all relevant information and be distributed to the appropriate personnel.

Designs and specifications should be issued to site supervisors, relevant specialist subcontractors and suppliers, and include:

- specification of preparatory work
- details of specialist finishes.
- schedule of finishes

9.5.3 Storage

Materials for painting and decorating shall be adequately protected from the cold.

Painting and decorating materials should:

- be protected against frost before use
- not be used where they have been damaged by frost.

9.5.4 Conditions for painting and decorating

Painting and decorating shall take account of the climatic and building conditions to ensure a suitable finish.

The painting and decoration of external surfaces should not be undertaken where:

- weather conditions may adversely affect the completed work
- surfaces are moist
- frost occurs, or is due to occur, before the paint has been applied or has dried
- rain is expected before the paint dries.

When decorating internal walls:

- cold surfaces may cause problems with water-borne paints, even though the air temperature may be above freezing
- surfaces should be free from condensation before applying paint and coatings; they should not be applied until the moisture has evaporated from the surface.
- paintwork should not be adversely effected by dust

9.5.5 Timber

The painting and decorating of timber and timber-based materials shall be compatible with the species of timber, provide adequate protection and be suitable for the intended use and location. Prefabricated components and joinery shall be finished to a suitable quality, and protected.

When painting or decorating timber, the moisture content should be a maximum of 18%.

Paint and paint systems should be used in accordance with the manufacturer's recommendations, and be compatible with the surface to be decorated.

Preparation should ensure:

- door and window furniture is removed
- sharp arrises are rubbed down (to enable an even coating)
- unsound wood, loose or highly resinous knots, etc. are cut out, replaced and made good
- surfaces are free from dirt, dust and moisture
- raised grains, tool and machine marks are removed
- where there is deterioration of the primer or seal coat, surfaces are rubbed down and a second coat applied
- surfaces are refinished with fillers and glasspaper as appropriate
- where joinery is delivered preprimed, priming meets the requirements in this chapter
- nail holes, splits and other imperfections are stopped
- where joinery is prefabricated, the first coat of paint or stain is applied before fixing.

Knotting should:

- comply with BS 1336 'Specification for Knotting' (this may not be effective against heavy exudation of resin)
- be applied using a brush, or as part of the priming process for joinery.

One full round coat of primer should be applied to all surfaces to be painted, including:

- hidden surfaces of external woodwork
- cut ends of external woodwork
- rebates for glazing and backs of glazing beads.

Relevant standards for primer include:

- BS 4756 'Specification for ready-mixed aluminium priming paints for woodwork'
- BS 5082 'Specification for water-borne priming paints for woodwork'
- BS 5358 'Specification for solvent-borne priming paints for woodwork'.

Paint or stain should be applied to external timber to provide protection and stability, even where the timber has been preservative treated (unless the preservative treatment manufacturer confirms otherwise). Primer, paint and stain finishes should be compatible with preservative treatment.

Undercoat and gloss should be applied ensuring that it provides a satisfactory finish, and:

- it is not thinned (unless recommended by the manufacturer)
- each application is a full round coat and surfaces are lightly rubbed down with glasspaper between coats
- a minimum of one priming coat, one undercoat and one finishing coat are used (unless an alternative recommendation is made by the manufacturer)
- each coat is applied within one month of the previous.

Stain and varnishes should be:

- applied as recommended by the manufacturer to provide appropriate cover
- applied to surfaces which have been suitably prepared to provide adequate adhesion and an acceptable appearance
- applied when the substrate is dry
- suitable for the species of timber.

Varnish should be applied with a minimum of three coats on interior surfaces. On exterior surfaces, varnish should be suitable for the conditions (yacht or high gloss) and applied with a minimum of four coats. Surfaces should be sanded between coats.

Stain should:

- be a two-coat system or be in accordance with the manufacturer's recommendations
- not be applied to door or window rebates which are to be glazed with linseed-oil putty.

BS 6952 provides guidance on exterior wood coating systems.

Prefabricated joinery and components should be:

- protected from damage
- supplied with, or given, a coat of primer before fixing
- stored under cover and primed, where supplied untreated, as soon as possible after delivery
- reprimed where primer is damaged.

9.5.6 Steel

Steelwork shall be coated to provide adequate protection and be suitable for the intended use and location.

Decorative finishes may be applied to galvanised steel following suitable preparation with a mordant wash.

Decorative finishes applied to steelwork that has been protected by coatings (including intumescent paint for fire resistance) in accordance with Chapter 6.5 'Steelwork', must be compatible with the protective coating. The manufacturer's recommendations should be followed. Any damage to the protective coatings should be made good prior to decorative finishes being applied.

9.5.7 Walls

Walls shall be finished to provide an even and consistent appearance, to established levels of workmanship. Issues to be taken into account include:

- a) external masonry and rendering
- b) plaster and plasterboard surfaces.

External masonry and rendering

Paint or decorative finishes to external masonry and rendering should:

- be appropriate for the substrate, and be in accordance with the manufacturer's recommendations
- be applied to surfaces which are clean, free from dust and loose deposits
- not be applied to external brickwork or render where they could trap moisture in the construction and cause frost damage, sulfate attack or other detrimental effects.

Where bricks have no upper limit on their soluble salt content, the brick manufacturer's written agreement to the application of a finish should be obtained.

Where the decorative system is part of the weather resistance of the rendering, it should be assessed in accordance with Technical Requirement R3.

Where surfaces have varying suction, they should be stabilised with a treatment recommended by the manufacturer.

Plaster and plasterboard surfaces

A sealing coat should be applied to dry lining, and surfaces prepared for decoration, in accordance with the manufacturer's recommendations.

Plaster and plasterboard surfaces should be prepared in accordance with the manufacturer's recommendations and the design. Where plaster and skim coat is applied to plasterboard:

- surfaces should be visibly sound, without signs of powdering or crumbling
- joints should be completed and cracks, nail holes and surface imperfections filled
- the surface should be rubbed down with glasspaper and dusted, where necessary
- surfaces should be stabilised, either with a coat of thinned paint or with a sealant as recommended by the manufacturer
- a minimum of two coats of paint should be applied.

Where building boards are used, coatings should be in accordance with the board manufacturer's recommendations.

9.5.8 Wallpapering

Wallpapering shall be finished to provide an even and consistent appearance, to established levels of workmanship.

Where wallpaper or coverings are used:

- surfaces should be dry, even and smooth before wallpaper is applied
- surfaces should be sized or sealed as necessary
- adhesives should be in accordance with the wallpaper manufacturer's recommendations
- they should be properly aligned and neatly fixed
- electrical switch plates should be temporarily removed and the papering accurately trimmed so that it will tuck behind the fitting upon completion.

9.5.9 Other surfaces

Surfaces shall be finished to provide an even and consistent appearance, to established levels of workmanship.

For glazing rebates in windows and doors treated with stains:

- linseed-oil putty should not be specified
- appropriate sealants should be used in accordance with the manufacturer's recommendations.

The insides of metal gutters (other than aluminium) should be painted with a suitable protective paint.

Non-ferrous pipework (e.g. copper pipes) should be painted with the normal decorative finishes.

9.5.10 Completed painting and decorating

Completed paintwork shall be to established levels of workmanship and suitably protected.

Painting and decorating should be complete, and:

- surfaces that are not intended to be painted should be free of paintmarks
- evenly applied, free from conspicuous runs or prominent brush marks, and the background or undercoat should not be visible
- where ironmongery has been removed, it should be correctly replaced
- removed and reapplied where spilt, splashed or badly applied
- protected against dirt and damage until handover.

Technical Disclaimer

The NHBC Standards are produced by NHBC as guidance solely for our builder customers as to how to interpret the technical requirements in relation to the warranty cover provided by NHBC under its Buildmark, Buildmark Choice, Buildmark Link, Buildmark Solo, Buildmark Connect or any similar product from time to time. It has not been created or intended for distribution or use outside of that purpose. The information contained in the NHBC Standards do not constitute advice and is not to be relied upon by any third party. Nothing in the NHBC Standards is intended to, nor should it be taken to, create any legal or contractual relationship. Any third party who chooses to rely upon the information contained in the NHBC Standards shall do so entirely at their own risk and NHBC accepts no duty of care or liability, however caused, in connection with its use or reliance by any third party.

NHBC is authorised by the Prudential Regulation Authority and regulated by the Financial Conduct Authority and the Prudential Regulation Authority.

NHBC is registered in England under company number 00320784. NHBC's registered address is NHBC House, Davy Avenue, Knowlhill, Milton Keynes, Bucks MK5 8FP.

NHBC Standards 2018 have been printed on material which is produced from sustainable forests and is fully recyclable and biodegradable, ECF (elemental chlorine free) and is made to ISO 14001 Environmental Certification.



NHBC, NHBC House,
Davy Avenue, Knowlhill,
Milton Keynes,
Bucks MK5 8FP
Tel: 0344 633 1000
Fax: 01908 747255
www.nhbc.co.uk

